



Dynalite Leading Edge Dimmers

DTE1210

12 channel Trailing Edge Dimmer Controller with a maximum load per channel of 10 A.

The Philips Dynalite DTE1210 trailing edge dimmer controller features 12 channels, with a maximum load per channel of 10 A and a total box load of 120 A.;The trailing edge output makes the device suitable for control of both trailing and leading edge electronic transformers, as well as incandescent lamps and track lighting.;Operates from three phase supplyVoltage regulation and soft start technologiesNaturally ventilatedInterface to other devicesInternal controlsOptions available

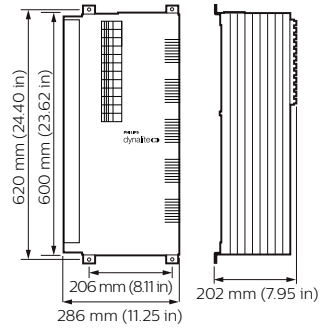
Produkt data

Generelle oplysninger	
CE-mærke	CE-mærket
Bemærkninger	Please download the Lighting - Product Data Sheet for more information and ordering options
Opfylder kravene i EU RoHS	Ja
Anvendelsesbetingelser	
Omgivelsestemperaturområde	0 til +40 °C
Produktdata	
Fuldstændig produktkode	871016350586200

Ordreproduktnavn	DTE1210
EAN/UPC – produkt	8710163505862
Ordrekode	50586200
Tæller – antal pr. pakke	1
Tæller – antal pakker pr. kasse (udvendig emballage)	1
Materialenr. (12NC)	913703022009
Nettovægt (stykke)	16,000 kg

Dynalite Leading Edge Dimmers

Målskitse



Dynalite Trailing Edge Dimmers

Dynalite Trailing Edge Dimmers

