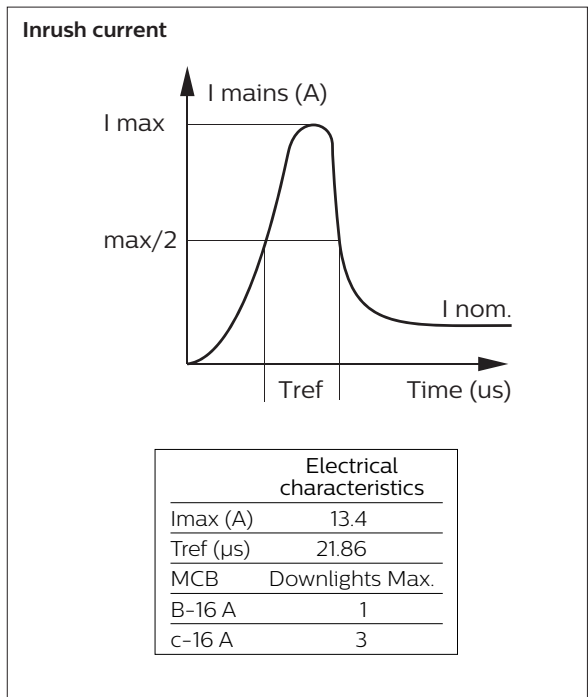
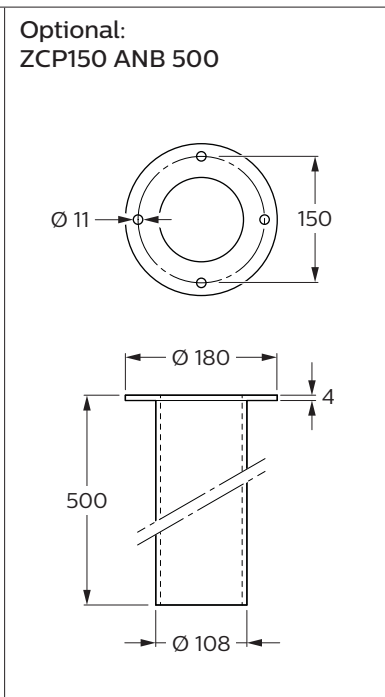
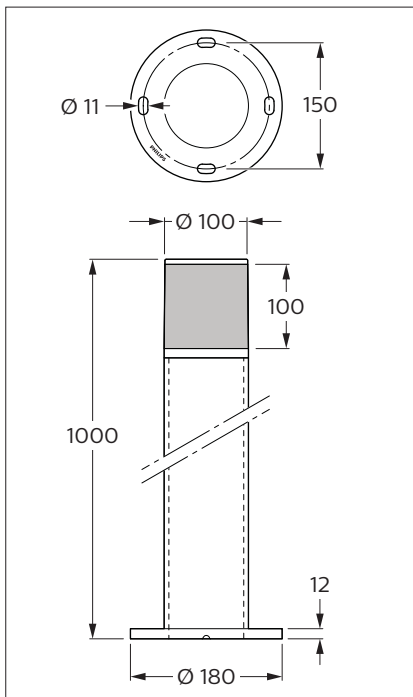


	P (W)	Lumen(lm)	Beam	kg
BCP155 LED100/WW PSU 220-240V A 7043	13	1000	Asymmetric	3.1
BCP155 LED100/NW PSU 220-240V A 7043				
BCP155 LED100/WW PSU 220-240V S 7043	12	1000	Symmetric	3.8
BCP155 LED100/NW PSU 220-240V S 7043				
ZCP150 ANB 500				



- The bollard shall be installed by a qualified electrician and wired in accordance with the latest IEE electrical regulations or the national requirements.
- The bollard is complied to IEC 60598-1.
- The bollard connection is Y type: If the external flexible cable or cord of the bollard is damaged, it shall be exclusively replaced by the manufacturer or his service agent or a similar qualified person in order to avoid a hazard.
- The wire connection method is determined by local electrical codes and regulations, typically either wire nuts or screws terminal blocks.
- Do not switch on before complete installation.
- It is recommended to use a supply box with a minimum IP65, and 3P terminal, the terminal is rated voltage is 250V at least.
- The light source of this luminaire is not replaceable; when the light source reaches its end of life the whole luminaire shall be replaced.

