



Dynalite Leading Edge Dimmers

DLE1205

12 channel Leading Edge Dimmer Controller with a maximum load per channel of 5 A.

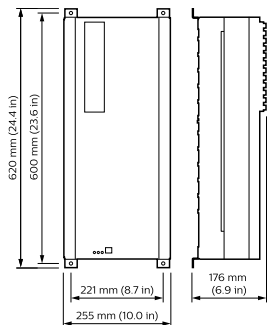
The Philips Dynalite DLE1205 is a 12 channel leading edge dimmer controller with a maximum load per channel of 5 A. - It is suitable for use with incandescent and neon light sources, as well as iron core and leading edge electronic transformers. - Fully rated device
Interference suppression
Naturally ventilated
Soft start and voltage regulation technologies
Diagnostic functionality
User controls
Options available

Produkt data

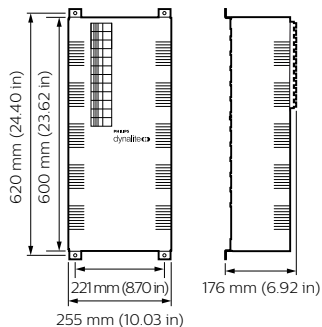
Generelle oplysninger		Ordreproduktnavn	DLE1205
CE-mærke	CE-mærket	EAN/UPC – produkt	8710163505428
Bemærkninger	Please download the Lighting - Product Data Sheet for more information and ordering options	Ordrekode	50542800
Opfylder kravene i EU RoHS	Ja	SAP-tæller – antal pr. pakke	1
Anvendelsesbetingelser		Tæller – antal pakker pr. kasse (udvendig emballage)	1
Omgivelsestemperaturområde	0 til +40 °C	SAP-materiale	913703010009
Produktdata		Nettovægt (stykke)	13,200 kg
Fuldstændig produktkode	871016350542800		

Dynalite Leading Edge Dimmers

Målskitse



Dynalite Leading Edge Dimmers



Dynalite Leading Edge Dimmers

